

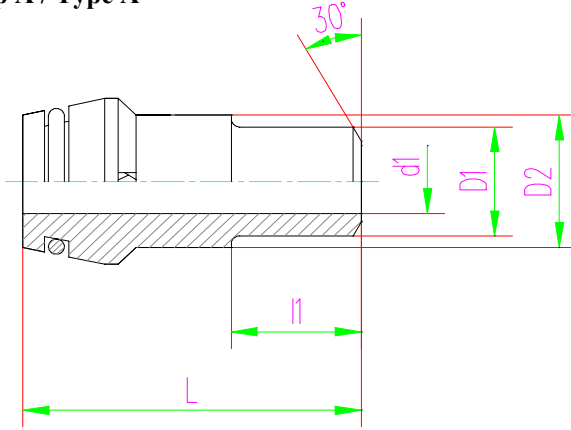


KURTMAN

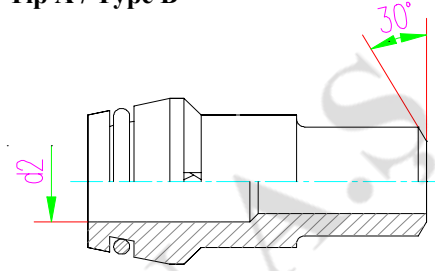
SKAR - Reducing Weld Nipple

KD/KY-OR - KADEMELİ KAYNAKLI
O-RİNG'Lİ YÜKSÜK

Tip A / Type A



Tip A / Type B



| PN (Bar) | Tip Type | Tube Boru Çapı | | d1 | d2 | L | H | O-RİNG | ITEM CODE |
|--------------|-------------|-------------------|----|----|----|------|----|-------------|------------|
| | | D1 | D2 | | | | | | PARÇA KODU |
| L/S NB/YB | A | 8 | 6 | 3 | - | 31 | 12 | OR 6,5x1,5 | 508400806 |
| | B | 10 | 6 | 3 | 5 | 32,5 | 12 | OR 8x1,5 | 508401006 |
| | A | 10 | 8 | 5 | - | 32,5 | 12 | OR 8x1,5 | 508401008 |
| | A | 12 | 8 | 5 | - | 32,5 | 14 | OR 10x1,5 | 508401208 |
| | A | 12 | 10 | 7 | - | 32,5 | 14 | OR 10x1,5 | 508401210 |
| S YB | A | 16 | 10 | 6 | - | 39 | 15 | OR 13x2 | 508401610 |
| | A | 16 | 12 | 7 | - | 39 | 15 | OR 13x2 | 508401612 |
| | A | 20 | 12 | 7 | - | 45 | 17 | OR 16,3x2,4 | 508402012 |
| | A | 20 | 16 | 10 | - | 49,5 | 20 | OR 20,3x2,4 | 508402016 |
| | B | 30 | 16 | 11 | 22 | 52 | 22 | OR 25,3x2,4 | 508403016 |
| | A | 30 | 20 | 12 | - | 52 | 22 | OR 25,3x2,4 | 508403020 |
| | A | 30 | 25 | 17 | - | 52 | 22 | OR 25,3x2,4 | 508403025 |
| | B | 38 | 16 | 10 | 28 | 56,5 | 26 | OR 33,3x2,4 | 508403816 |
| | B | 38 | 20 | 12 | 28 | 56,5 | 26 | OR 33,3x2,4 | 508403820 |
| | B | 38 | 25 | 17 | 28 | 56,5 | 26 | OR 33,3x2,4 | 508403825 |
| | A | 38 | 30 | 20 | - | 56,5 | 26 | OR 33,3x2,4 | 508403830 |